

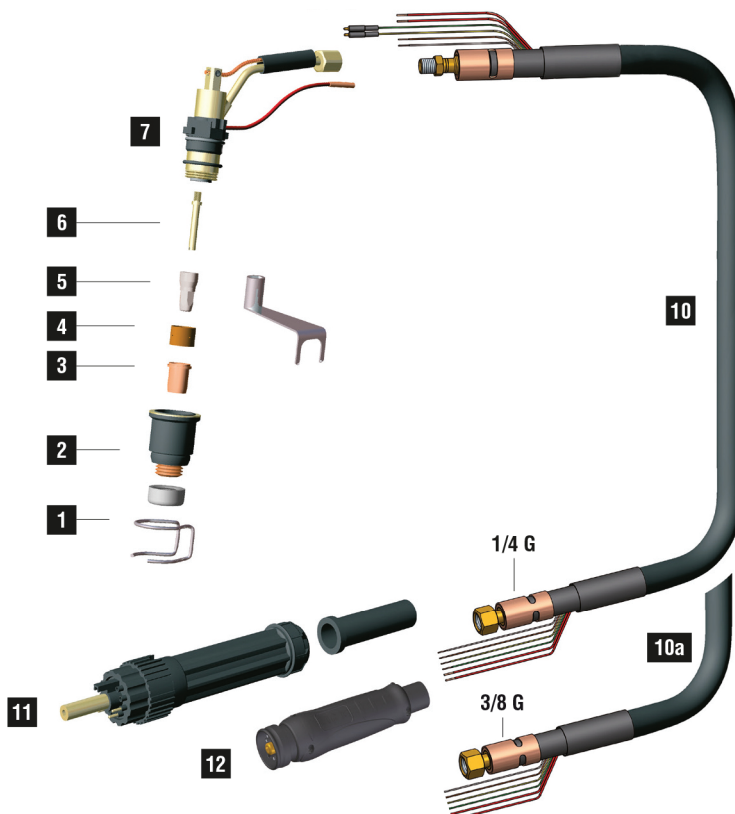
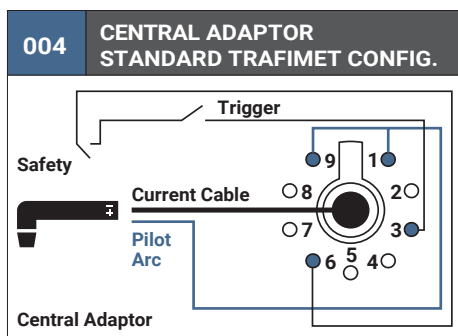
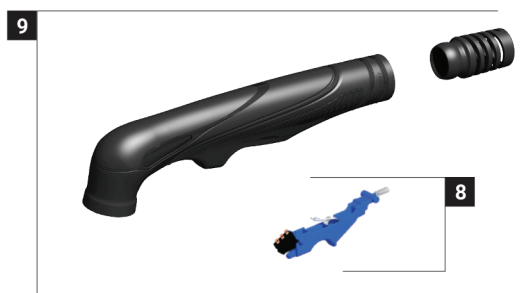
EXPRES CUT S75

CE EN60974-7



CODE	↔		
PAS506M-000-WA3	6 m	19.7'	1/4 GAS
PAS506M-071-WA3	6 m	19.7'	3/8 GAS
PAS506M-004-WA3	6 m	19.7'	CENTRAL 004
PAS506M-304-WA3	6 m	19.7'	TRAFIMECTOR® 304

TECHNICAL DATA		
NO HF	EXPRES CUT S75	
1 m	0,7 kg	1,54 lb
PEAK	500	
5 bar	5 bar	
150 l/min	150 l/min	
X 60%	70 A	
X 100%	50 A	
18-23mm	23/32" - 29/32"	



	CODE		Description	Ø		↔	CONTACT		DRAG		GOUGING	REF	
1	CV0026		stand off guide			25,5 mm							2
1	CV0028		stand off guide			20,5 mm							10
1	CV0033		stand off guide			26 mm							2
1	CV0051		stand off guide	24,3 mm		31 mm							1
2	CV0076		for PC0114			9,7 mm							10
2	PC0114		nozzle (CV0076 included)			39,5 mm							2
3	PD0114-10		50 A	1,0 mm	.040"	18,6 mm							10
3	PD0114-12		70 A	1,2 mm	.047"	18,6 mm							10
3	PD0118-10		50 A	1,0 mm	.040"	31,1 mm							10
4	PE0112		diffuser			11,5 mm							2
5	CV0080		tool for wear parts										1
5	PR0117		electrode			23,7 mm							10
5	PR0119		electrode			36,2 mm							10
6	FH0647		air tube			36 mm							10

	CODE		Description	
7	EA0223		O-ring Ø 18x1 mm	10
7	PF0135		S75 torch head	1
8	TP0310		trigger kit	1
9	TP0303		handle kit	1
9	BW0424		spring joint	1
10	PH4003		coaxial cable - 6 m / 19.7' - 1/4 G (no pin)	1

	CODE		Description	
10a	PH4009		coaxial cable - 6 m / 19.7' - 3/8 G (no pin)	1
11	BW0147		cable support	10
11	FY0023		plasma central adaptor - 5 pins	1
12	FY0090		TRAFIMECTOR® central adaptor - torch side	1
	EA0254		pin extractor for central adaptor	1
	PT0202		male spring pins kit (5 pcs)	1

STANDARD CONTACT SHORT CONTACT LONG DRAG SHORT DRAG LONG GOUGING