

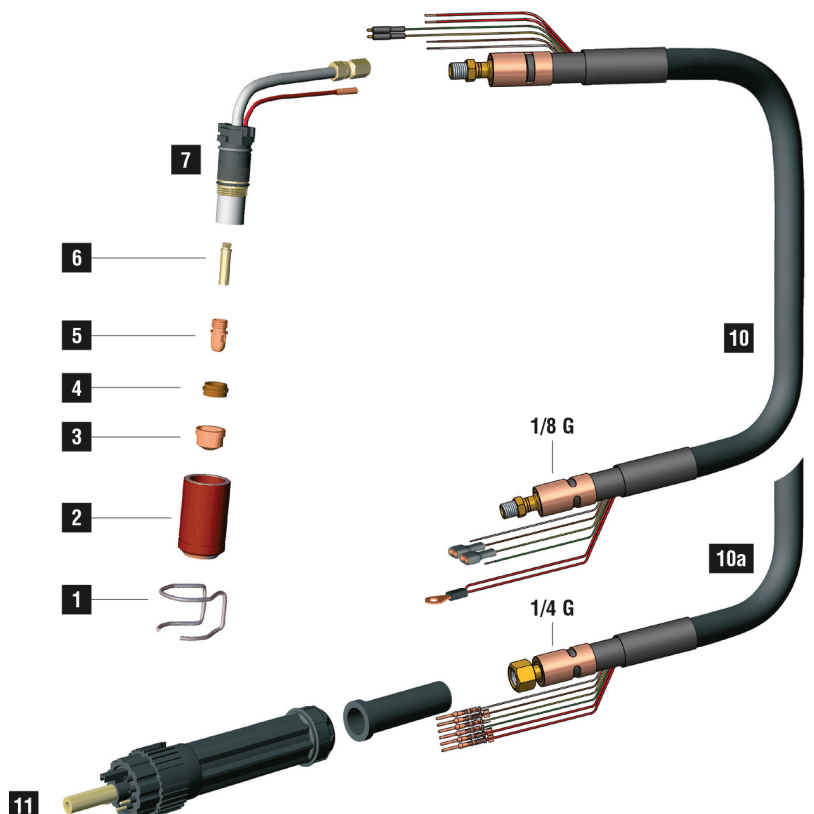
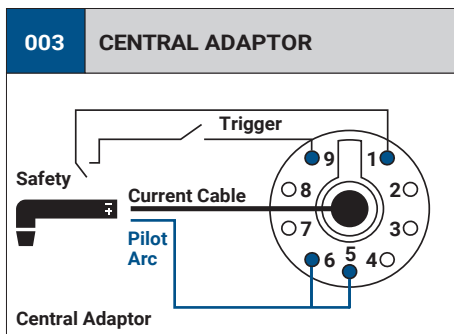
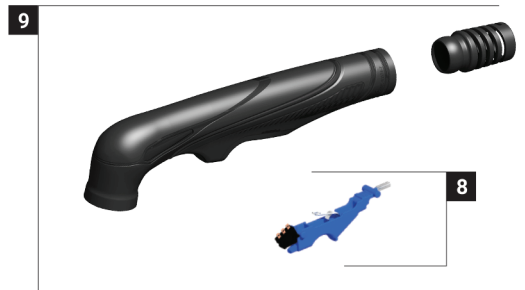
EXPRES CUT CB150

CE EN60974-7



CODE	↔		
PAE306M-060-WA3	6 m	19.7'	1/8 GAS
PAE306M-003-WA3	6 m	19.7'	CENTRAL 001

TECHNICAL DATA		
HF	EXPRES CUT CB150	
1 m	0,8 kg	1,76 lb
V PEAK	500	
	5 bar	
	200 l/min	
X 60%	150 A	
X 100%	110 A	
	35-40mm	1"3/8 - 1"9/16



	CODE		DESCRIPTION	Ø	LENGTH	CONTACT		DRAG		GOUGING	REF		
1	CV0008		stand off guide		32,5 mm		•				51957	10	
1	CV0009		stand off guide		38,6 mm				•			10	
1	CV0011		stand off guide		23 mm	•					1386	10	
1	CV0012		stand off guide		30 mm	•					1408	2	
1	CV0013		stand off guide		33 mm					•	1406	2	
1	CV0021		stand off guide	32,8 mm	40,6 mm	•						1	
1	CV0038		stand off guide		17 mm			•			51930	10	
2	PC0002		long life nozzle		52,1 mm	•				•	1389	2	
2	PC0034		long life nozzle		51,3 mm		•	•	•		60350	2	
3	PD0025-14		100 A	1,4 mm	.055"					•		10	
3	PD0025-16		130 A	1,6 mm	.063"					•		10	
3	PD0025-18		150 A	1,8 mm	.071"					•		10	
3	PD0026-11		60 A	1,1 mm	.043"		•					1371	10
3	PD0026-13		100 A	1,3 mm	.051"		•					1372	10
3	PD0026-16		130 A	1,6 mm	.063"		•					1373	10
3	PD0026-18		150 A	1,8 mm	.071"		•					1374	10
3	PD0026-24		gouging tip	2,4 mm	3/32"						•		10
3	PD0026-30		gouging tip	3,0 mm	1/8"						•		1375
3	PD0028-13		100 A	1,3 mm	.051"				•			10	
3	PD0028-16		130 A	1,6 mm	.063"				•			10	
3	PD0028-18		150 A	1,8 mm	.071"				•			10	
3	PD0030-11		60 A	1,1 mm	.043"		•					1369	10
4	PE0009		diffuser		7,9 mm	•	•	•	•	•	1377	2	
5	PR0034		electrode		22 mm	7/8"	•		•	•	1376	10	
5	PR0045		electrode		43 mm		•				1517	10	
5	PR0245		electrode		43 mm				•		1517	10	
6	FH0213		air tube		29,5 mm	•	•	•	•	•		1	

	CODE		DESCRIPTION	
7	EA0131		O-ring Ø 19x2 mm	10
7	PF0080		CB150 torch head	1
8	TP0310		trigger kit	1
9	TP0303		handle kit	1
9	BW0424		spring joint	1

	CODE		DESCRIPTION	
10	PH4017		coaxial cable - 6 m / 19.7' 1/8 G	1
10a	PH4014		coaxial cable - 6 m / 19.7' 1/4 G	1
11	BW0147		cable support	10
11	FY0023		plasma central adaptor - 5 pins	1
	EA0254		pin extractor for central adaptor	1
	PT0202		male spring pins kit (5 pcs)	1

STANDARD CONTACT SHORT CONTACT LONG DRAG SHORT DRAG LONG GOUGING