

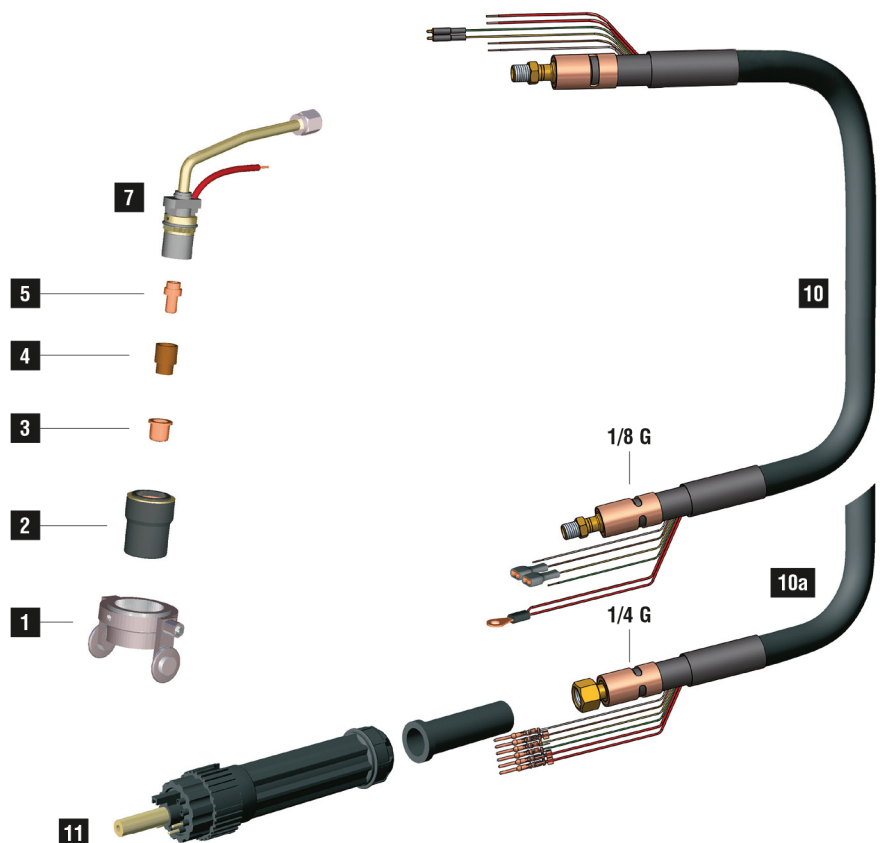
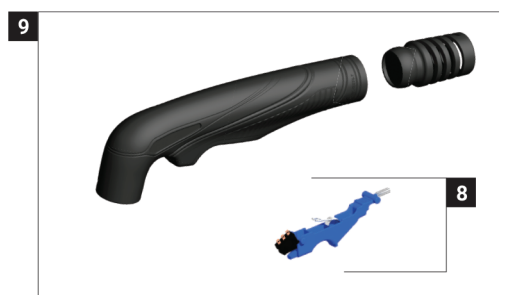
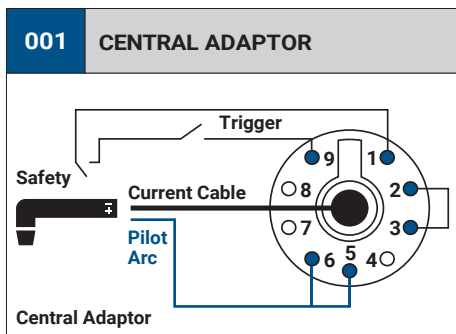
EXPRES CUT CB50

CE EN60974-7



CODE	↔		
PAE006M-060-WA3	6 m	19.7'	1/8 GAS
PAE006M-001-WA3	6 m	19.7'	CENTRAL 001

TECHNICAL DATA		
HF	EXPRES CUT CB50	
1 m	0,6 kg	1,32 lb
V PEAK	500	
	5 bar	
	165 l/min	
X 60%	50 A	
X 100%	40 A	
	10-15mm	13/32" - 19/32"



	CODE		Description	Ø		↔	CONTACT		DRAG		GOUGING	REF	
1	CV0037		stand off guide	24,3 mm		31 mm							1
2	PC0003		nozzle			35,6 mm						5710121	4
3	PD0014-10		50 A	1,0 mm	.040"	26,1 mm						1306	10
3	PD0015-10		50 A	1,0 mm	.040"	11,2 mm						1304	10
3	PD0015-12		60 A	1,2 mm	.047"	11,2 mm							10
3	PD0019-08		40 A	0,8 mm	.030"	11,6 mm							10
3	PD0019-10		50 A	1,0 mm	.040"	11,6 mm						20131	10
3	PD0019-12		60 A	1,2 mm	.047"	11,6 mm							10
3	PD0063-10		50 A	1,0 mm	.040"	26,8 mm							10
3	PD0063-11		60 A	1,1 mm	.043"	26,8 mm							10
3	PD0063-12		70 A	1,2 mm	.047"	26,8 mm							10
3	PD0085-98		50 A	0,98 mm	.038"	26,2 mm						1366	10
3	PD0088-06		20 A	0,65 mm	.025"	12,3 mm							10
3	PD0088-08		40 A	0,8 mm	.030"	12,3 mm							10
3	PD0088-10		50 A	1,0 mm	.040"	12,3 mm						1396	10
3	PD0088-11		60 A	1,1 mm	.043"	12,3 mm							10
3	PD0088-12		70 A	1,2 mm	.047"	12,3 mm						1308	10
4	PE0007		diffuser			15,6 mm						20101	2
5	PR0017		electrode			17,3 mm						20103	10
5	PR0065		electrode			32,5 mm						1518-HF	10

	CODE		Description	
7	EA0202		O-ring	10
7	PF0050		CB50 torch head	1
8	TP0310		trigger kit	1
9	TP0302		handle kit	1
9	BW0424		spring joint	1

	CODE		Description	
10	PH4007		coaxial cable - 6 m / 19.7' 1/8 G	1
10a	PH4001		coaxial cable - 6 m / 19.7' 1/4 G	1
11	BW0147		cable support	10
11	FY0014		plasma central adaptor - 5 pins	1
	EA0254		pin extractor for central adaptor	1
	PT0202		male spring pins kit (5 pcs)	1

STANDARD CONTACT SHORT CONTACT LONG DRAG SHORT DRAG LONG GOUGING