

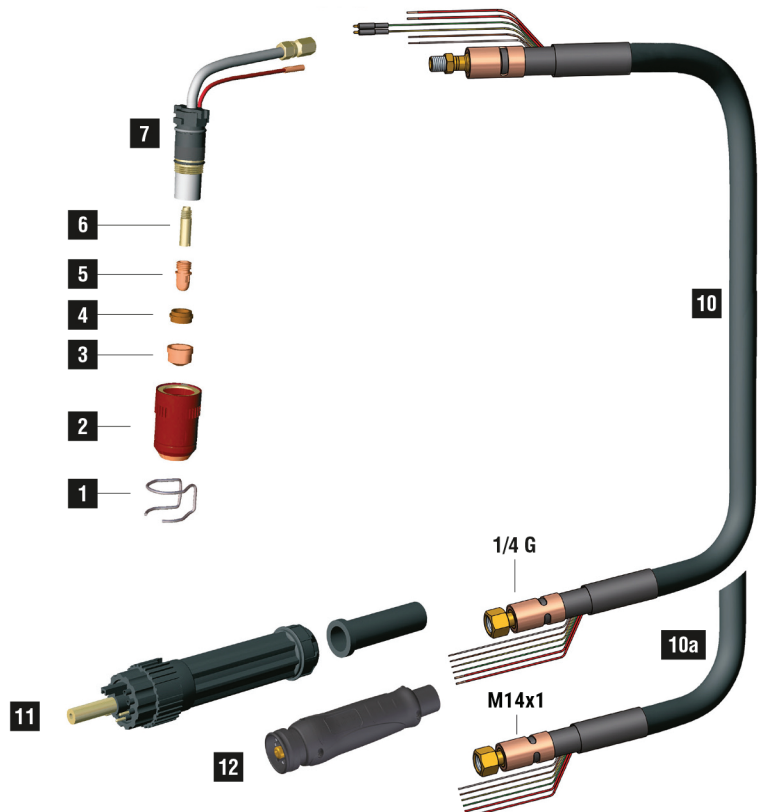
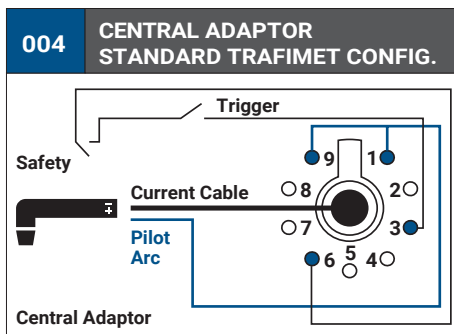
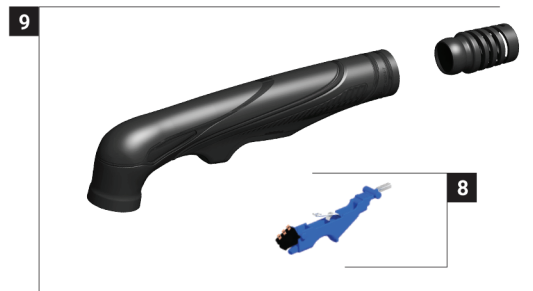
EXPRES CUT A141

CE EN60974-7



CODE	↔		
PAA306M-000-WA3	6 m	19.7'	 1/4 GAS
PAA306M-082-WA3	6 m	19.7'	 M14x1
PAA306M-004-WA3	6 m	19.7'	 CENTRAL 004
PAA306M-304-WA3	6 m	19.7'	 TRAFIMECTOR® 304

TECHNICAL DATA		
HF	EXPRES CUT A141	
1 m	1,1 kg	2,43 lb
V PEAK	500	
	5 bar	
	210 l/min	
X 60%	140 A	
X 100%	100 A	
	35-40mm	1"3/8 - 1"9/16



	CODE		DESCRIPTION	Ø	LENGTH	CONTACT		DRAG		GOUGING	REF		
1	CV0008		stand off guide			32,5 mm					51957	10	
1	CV0009		stand off guide			38,6 mm						10	
1	CV0011		stand off guide			23 mm					1386	10	
1	CV0012		stand off guide			30 mm					1408	2	
1	CV0017		stand off guide			33 mm					1406	2	
1	CV0014		stand off guide			30 mm						2	
1	CV0021		stand off guide	32,8 mm		40,6 mm						1	
1	CV0023		stand off guide			17,6 mm						10	
1	CV0039		stand off guide			18,5 mm						2	
2	FH0297		insulator for CV0039/ CV0023									10	
2	PC0101		nozzle			52,1 mm						2	
2	PC0102		long life nozzle			52,1 mm						2	
2	PC0103		nozzle			50,3 mm						2	
2	PC0131		long life			50,9 mm						2	
3	PD0101-08		30 A	0,8 mm	.030"	13,7 mm						10	
3	PD0101-11		60 A	1,1 mm	.043"	13,7 mm						10	
3	PD0101-14		100 A	1,4 mm	.055"	13,7 mm						10	
3	PD0101-17		130 A	1,7 mm	.066"	13,7 mm						10	
3	PD0101-19		140 A	1,9 mm	.075"	13,7 mm						10	
3	PD0101-30		gouging tip	3,0 mm	1/8"	13,7 mm							10
3	PD0111-12		80 A	1,2 mm	.047"	35,8 mm						10	
3	PD0117-14		100 A	1,4 mm	.055"	34,8 mm						10	
3	PD0117-17		130 A	1,7 mm	.066"	34,8 mm						10	
3	PD0117-19		140 A	1,9 mm	.075"	34,8 mm						10	
4	PE0101			diffuser			7,8 mm						2
4	PE0103		diffuser			7,8 mm						2	
5	PR0101		electrode			22 mm	7/8"						10
5	PR0116		electrode			43,1 mm						10	
6	FH0563		air tube			29 mm						1	

	CODE		DESCRIPTION	
7	EA0131		O-ring Ø 19 x 2 mm	10
7	PF0155		A141 torch head	1
8	TP0310		trigger kit	1
9	TP0303		handle kit	1
9	BW0424		spring joint	1
10	PH4023		coaxial cable - 6 m / 19.7' - 1/4 G (no pin)	1

	CODE		DESCRIPTION	
10a	PH4020		coaxial cable - 6 m / 19.7' - M14x1	1
11	BW0147		cable support	10
11	FY0023		plasma central adaptor - 5 pins	1
12	FY0090		TRAFIMECTOR® central adaptor - torch side	1
	EA0254		pin extractor for central adaptor	1
	PT0202		male spring pins kit (5 pcs)	1

STANDARD CONTACT SHORT CONTACT LONG DRAG SHORT DRAG LONG GOUGING