

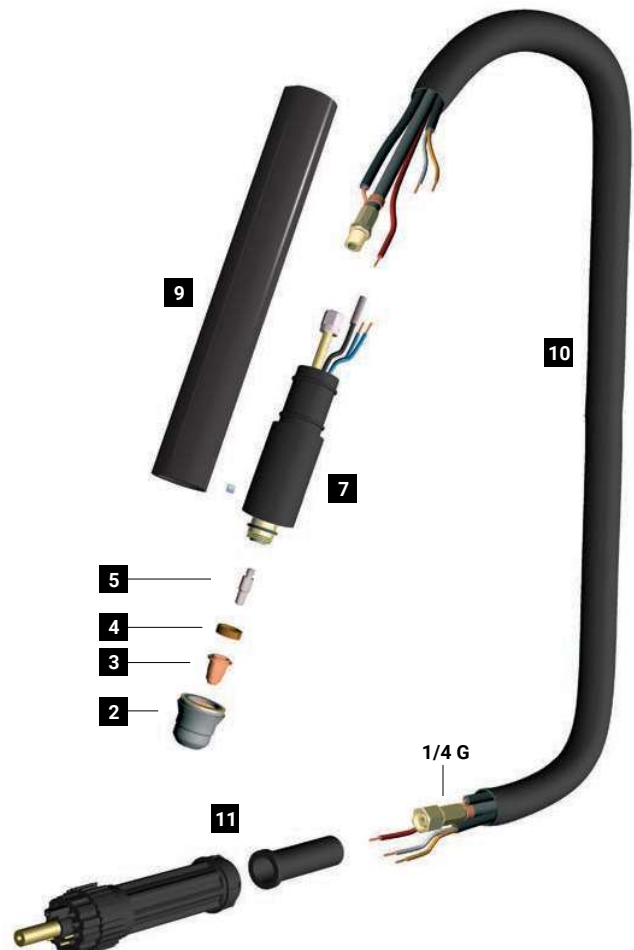
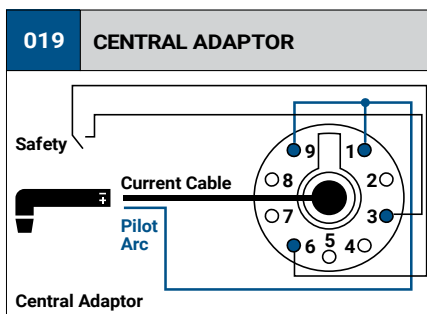
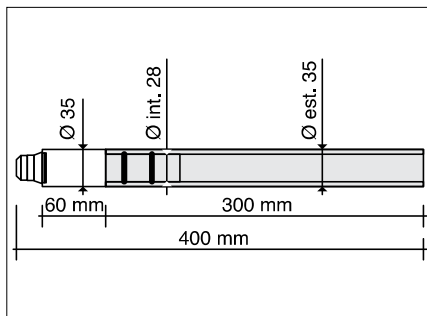
AUTOCUT S65P

CE EN60974-7



CODE	↔		
PA2211	6 m	19.7'	 1/4 GAS
PA2210	6 m	19.7'	 CENTRAL 019

TECHNICAL DATA		
	AUTOCUT S 65P	
	0,4 kg	0,88 lb
	500	
	4 bar	
	100 l/min	
	60A	
	16-20 mm	5/8" - 25/32"



	CODE			Ø			CONTACT		REF	
2	PC0098		nozzle			29 mm				2
3	PD0098-08		40 A	0,8 mm	.030"	17,7 mm				10
3	PD0098-10		60 A	1,0 mm	.040"	17,7 mm				10
4	PE0106		Swirl ring			4,6 mm			60028	2
5	PR0098		electrode			24,8 mm				10

	CODE			
7	EA0330		o-ring	10
7	PF0131		Autocut S 65P torch head	1
7	PT0030		repair kit	1
9	TP0061		black metal handle	1

	CODE			
10	PH0318		cable assembly - 6 m / 19.7' - 1/4 G	1
10	PH1292		power cable - 6 m / 19.7' - 1/4 G	1
11	BW0073		cable support	10
11	FY0023		plasma central adaptor - 5 pins	1

STANDARD

CONTACT SHORT

CONTACT LONG