

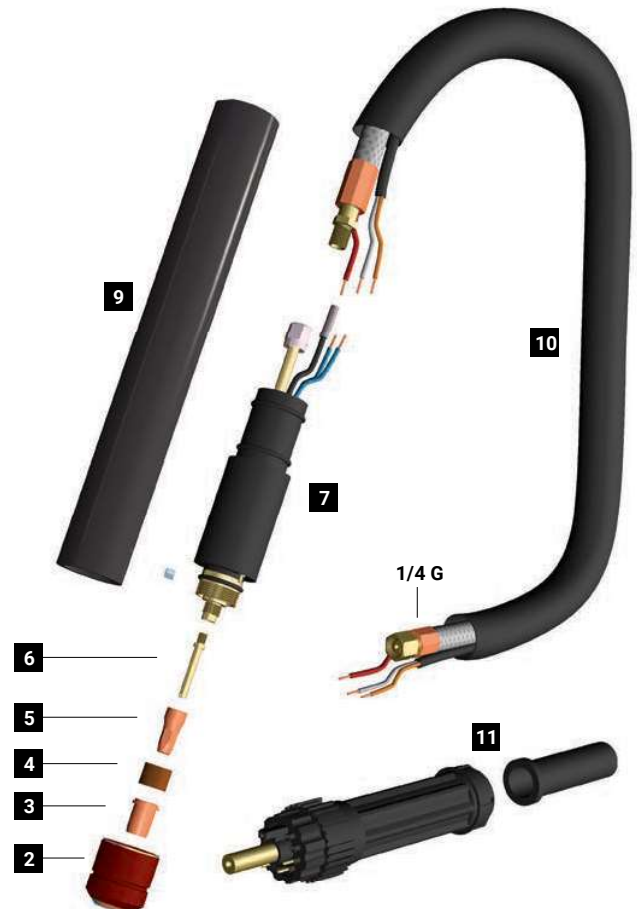
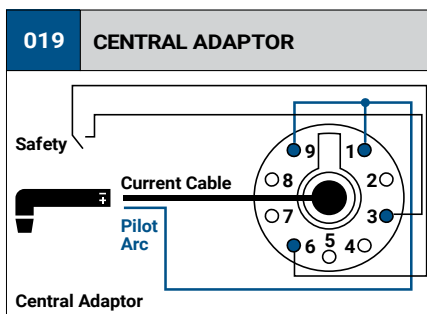
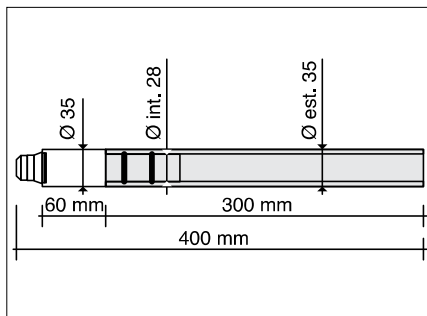
AUTOCUT S105P

CE EN60974-7



CODE	↔		
PA1684	6 m	19.7'	 1/4 GAS
PA1682	6 m	19.7'	 CENTRAL 019

TECHNICAL DATA		
	AUTOCUT S 105P	
	0,9 kg	1.98 lb
	500	
	4 bar	
	180 l/min	
	100A	
	70A	
	25-30 mm	1"-1 3/16



	CODE		Description	Ø		↔	CONTACT		REF	
2	PC0118		long life nozzle			39,5 mm				4
3	PD0119-10		50 A	1,0 mm	.040"	18,7 mm			-	10
3	PD0119-12		70 A	1,2 mm	.047"	18,7 mm			-	10
3	PD0119-14		100 A	1,4 mm	.055"	18,7 mm			-	10
4	PE0112		diffuser			11,5 mm			-	2
5	CV0080		tool for wear parts							1
5	PR0117		electrode			23,7 mm				10
6	FH0647		air tube			36 mm				10

	CODE		Description	
7	EA0223		O-ring Ø 18x1 mm	10
7	PF0137		Autocut S 105P torch head	1
7	PT0030		repair kit	1
9	TP0061		black metal handle	1

	CODE		Description	
10	PH0132		cable assembly - 6 m / 19.7' - 1/4 G	1
10	PH0207		power cable - 6 m / 19.7' - 1/4 G	1
11	CY0002		cable support	1
11	FY0023		plasma central adaptor - 5 pins	1

STANDARD

CONTACT SHORT

CONTACT LONG