

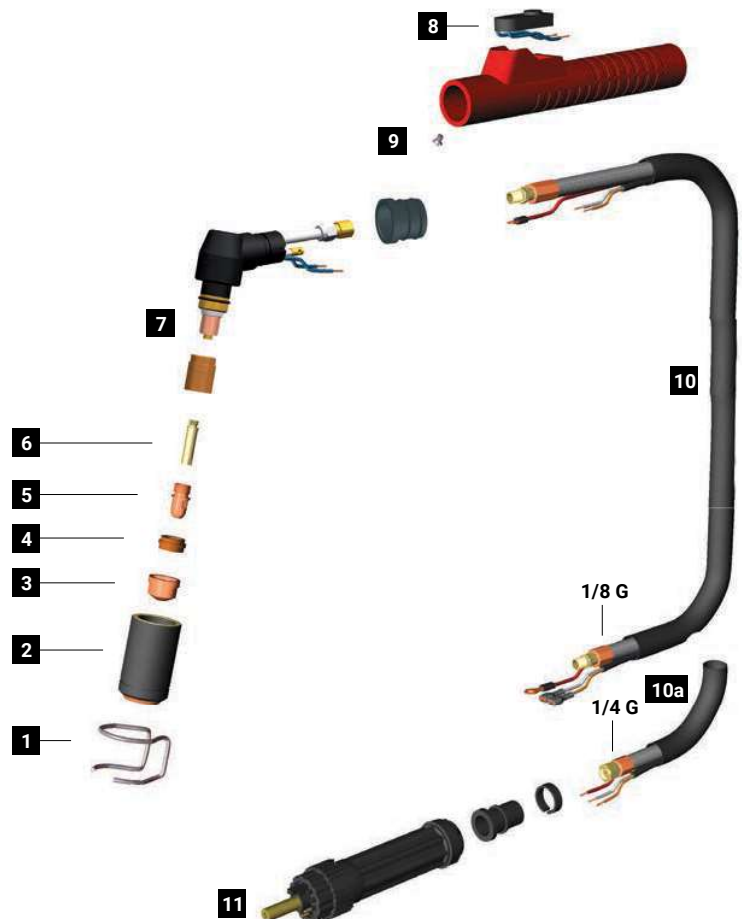
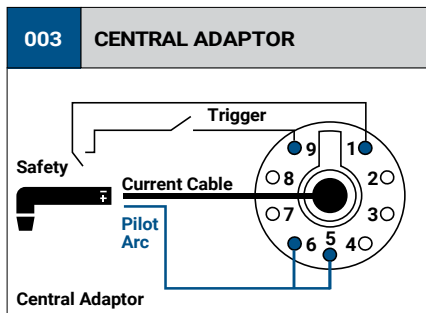
PLASMA CB150 REMOVABLE INSULATOR

CE EN60974-7



| CODE | ↔ | | |
|--------|-----|-------|-------------|
| PA1392 | 6 m | 19.7' | 1/8 GAS |
| PA1393 | 6 m | 19.7' | CENTRAL 003 |

| TECHNICAL DATA | | |
|----------------|---------------|--------------|
| HF | PLASMA CB 150 | |
| 1 m | 0,8 kg | 1.76 lb |
| PEAK | 500 | |
| | 5 bar | |
| | 200 l/min | |
| 60% | 150A | |
| 100% | 110A | |
| | 35-40 mm | 1"3/8-1"9/16 |



| | CODE | | Description | Ø | ↔ | CONTACT | | DRAG | | GOUGING | REF | | |
|---|-----------|--|------------------|---------|---------|---------|---|------|---|---------|-------|------|----|
| | | | | | | | | | | | | | |
| 1 | CV0008 | | stand off guide | | 32,5 mm | | • | | | | 51957 | 10 | |
| 1 | CV0009 | | stand off guide | | 38,6 mm | | | | • | | | 10 | |
| 1 | CV0011 | | stand off guide | | 23 mm | • | | | | | 1386 | 10 | |
| 1 | CV0012 | | stand off guide | | 30 mm | • | | | | | 1408 | 2 | |
| 1 | CV0013 | | stand off guide | | 33 mm | | | | | • | 1406 | 2 | |
| 1 | CV0021 | | stand off guide | 32,8 mm | 40,6 mm | • | | | | | | 1 | |
| 1 | CV0038 | | stand off guide | | 17 mm | | | | • | | 51930 | 10 | |
| 2 | PC0002 | | long life nozzle | | 52,1 mm | • | | | | • | 1389 | 2 | |
| 2 | PC0034 | | long life nozzle | | 51,3 mm | | • | • | • | | 60350 | 2 | |
| 3 | PD0025-14 | | 100 A | 1,4 mm | .055" | | | | • | | | 10 | |
| 3 | PD0025-16 | | 130 A | 1,6 mm | .063" | | | | • | | | 10 | |
| 3 | PD0025-18 | | 150 A | 1,8 mm | .071" | | | | • | | | 10 | |
| 3 | PD0026-11 | | 60 A | 1,1 mm | .043" | | • | | | | | 1371 | 10 |
| 3 | PD0026-13 | | 100 A | 1,3 mm | .051" | | • | | | | | 1372 | 10 |
| 3 | PD0026-16 | | 130 A | 1,6 mm | .063" | | • | | | | | 1373 | 10 |
| 3 | PD0026-18 | | 150 A | 1,8 mm | .071" | | • | | | | | 1374 | 10 |
| 3 | PD0026-24 | | gouging tip | 2,4 mm | 3/32" | | | | | | • | | 10 |
| 3 | PD0026-30 | | gouging tip | 3,0 mm | 1/8" | | | | | | • | 1375 | 10 |
| 3 | PD0028-13 | | 100 A | 1,3 mm | .051" | | | | • | | | 10 | |
| 3 | PD0028-16 | | 130 A | 1,6 mm | .063" | | | | • | | | 10 | |
| 3 | PD0028-18 | | 150 A | 1,8 mm | .071" | | | | • | | | 10 | |
| 3 | PD0030-11 | | 60 A | 1,1 mm | .043" | | • | | | | | 1369 | 10 |
| 4 | PE0009 | | diffuser | | 7,9 mm | • | • | • | • | • | 1377 | 2 | |
| 5 | PR0034 | | electrode | | 22 mm | 7/8" | • | | • | | • | 1376 | 10 |
| 5 | PR0045 | | electrode | | 43 mm | | | • | | | | 1517 | 10 |
| 5 | PR0245 | | electrode | | 43 mm | | | | • | | | 1517 | 10 |
| 6 | FH0213 | | air tube | | 29,5 mm | • | • | • | • | • | | 1 | |

| | CODE | | Description | |
|----|--------|--|-----------------------------------|----|
| 7 | EA0131 | | O-ring Ø 19x2 mm | 10 |
| 7 | FH0847 | | Insulator L=26,5mm | 2 |
| 7 | PF0090 | | Plasma CB 150 RI torch head | 1 |
| 8 | BX0070 | | trigger for TP0088 | 10 |
| 9 | BW0342 | | Ø 24 - Ø 28 | 1 |
| 9 | TP0088 | | handle kit | 1 |
| 10 | PH0162 | | power cable - 6 m / 19.7' - 1/8 G | 1 |

| | CODE | | Description | |
|-----|--------|--|--------------------------------------|----|
| 10 | PH0264 | | cable assembly - 6 m / 19.7' - 1/8 G | 1 |
| 10a | PH0107 | | power cable - 6 m / 19.7' - 1/4 G | 1 |
| 10a | PH0171 | | cable assembly - 6 m / 19.7' - 1/4 G | 1 |
| 11 | CY0035 | | cable support | 10 |
| 11 | CY0036 | | ring | 10 |
| 11 | FY0023 | | plasma central adaptor - 5 pins | 1 |

STANDARD

CONTACT SHORT

CONTACT LONG

DRAG SHORT

DRAG LONG

GOUGING